



<b>Engine</b>	Cummins 6LT9.3
<b>Gross Power</b>	162 kW (217 hp / 220 ps) @ 2,200 rpm
<b>Net Power</b>	154 kW (207 hp / 209 ps) @ 2,200 rpm
<b>Operating Weight</b>	22,000 kg
<b>Rated Load</b>	18,000 kg
<b>Standard Breakout Force</b>	202 kN
<b>Maximum Raise Height</b>	3,450 mm

# F180 WHEEL LOADER

# F180 SPECIFICATIONS >>>

## ENGINE

Emission Regulation	Tier 2 / Stage II
Manufacturer	Cummins
Model	6LT9.3
Gross Power	162 kW (217 hp / 220 ps) @ 2,200 rpm
Net Power	154 kW (207 hp / 209 ps) @ 2,200 rpm
Peak Torque	940 N · m
Displacement	9.3 L
Number of Cylinder	6
Aspiration	<u>Turbocharged</u>

## TRANSMISSION

Transmission Type	Planetary type, power shift
Torque Converter	Single stage, four elements
Maximum Travel Speed, fwd	40 km/h
Maximum Travel Speed, rev	16 km/h
Number of Speed, fwd	2
Number of Speed, Rev	1

## AXLES

Differential Front Type	Conventional
Differential Rear Type	Conventional
Axle Oscillation	±12°

## STEERING

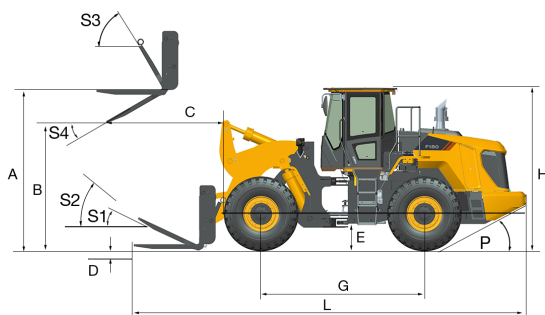
Steering Configuration	Articulated
Steering Relief Pressure	18 MPa

## BRAKES

Service Brake Type	Caliper disc brake
Service Brake Actuation	Air over hydraulic
Parking Brake Type	Drum type
Parking Brake Actuation	Mechanical

## HYDRAULIC SYSTEM

Main Pump Type	Gear
Main Relief Pressure	19 MPa
Raise	8.2 s
Dump Time	1.1 s
Float Down Time	4.2 s
Fastest Total Cycle Time	13.5 s



## LOADER ARM PERFORMANCE

Tipping Load - Straight	19,200 kg
Tipping Load - Full Turn	18,000 kg
Fork Breakout Force	202 kN
A Maximum Hinge Pin Height	3,950 mm
B Dump Clearance at Full Height Discharge	2,780 mm
C Dump Reach at Full Height Discharge	1,320 mm
D Maximum Digging Depth, Fork Level	50 mm
S <sub>1</sub> Fork Rollback at Ground Level	22°
S <sub>2</sub> Fork Rollback at Carry	-
S <sub>3</sub> Fork Rollback at Maximum Height	-
S <sub>4</sub> Maximum Dump Angle at Full Height	25°

## FORK PERFORMANCE

Rated Load	18,000 kg
------------	-----------

## DIMENSIONS

E Ground Clearance	460 mm
G Wheelbase	3,500 mm
H Cab Height	3,450 mm
J Wheel Tread	2,250 mm
K Width Over Tires	2,850 mm
L Length with Fork Down	8,560 mm
M Turn Angle, Either Side	38°
P Rear Angle of Departure	27°
R <sub>1</sub> Turning Radius, Fork Carry	6,930 mm
R <sub>2</sub> Turning Radius, Outside of Tire	6,625 mm

## TIRES

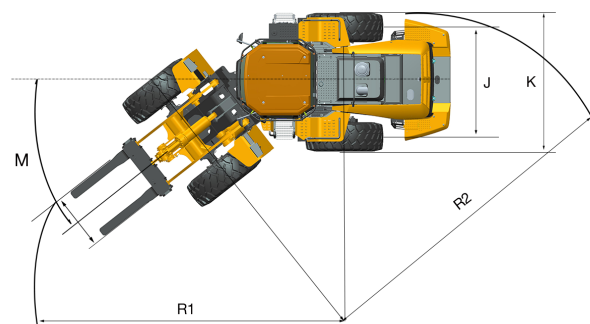
Tire Size	23.5-25PR24
-----------	-------------

## OPERATING WEIGHTS

Operating Weight	22,000 kg
------------------	-----------

## SERVICE CAPACITY

Fuel Tank	340 L
Engine Oil	22 L
Cooling System	52 L
Hydraulic System	260 L
Transmission and Torque Converter	45 L
Axles, Front / Rear	33 L / 36 L



Guangxi Liugong Machinery Co., Ltd.

No. 1 Liutai Road, Liuzhou, Guangxi 545007, PR China  
T: +86 772 3886124 E: overseas@liugong.com  
www.liugong.com

Specifications and designs are subject to change without notice. Machines shown may include optional equipment. Liugong standard and optional equipment may vary from region to region. Please consult your Liugong dealer for information specific to your area. Engine power kW is converted to horsepower (1 kW=1.3596 ps and 1 kW=1.3410 hp) in this file.

09/2020 Designed by LiuGong  
Replace the previous versions of 03/2020